



| | | | | | | |
|----------------------------------|----|---|---|---|---|---|
| 1121 - CPD - AD5036 | 12 | | | | | |
| EN 1154:1996 + A1:2002 + AC:2006 | 3 | 8 | 3 | 1 | 1 | 3 |



APPROVED PRODUCT
CF5087



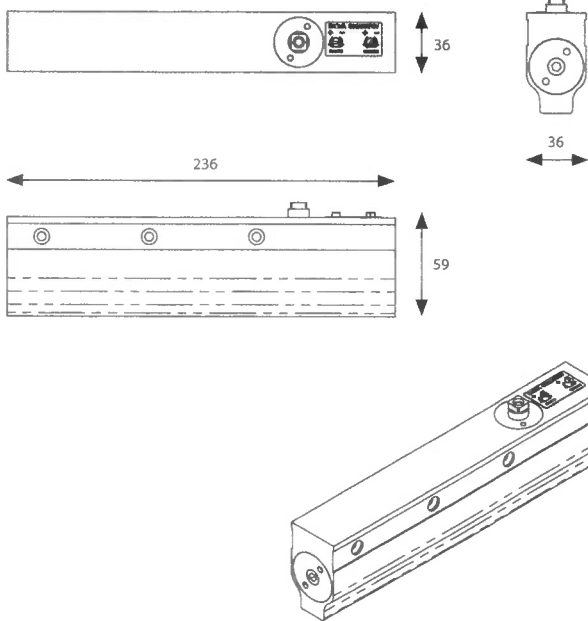
BS EN 1154



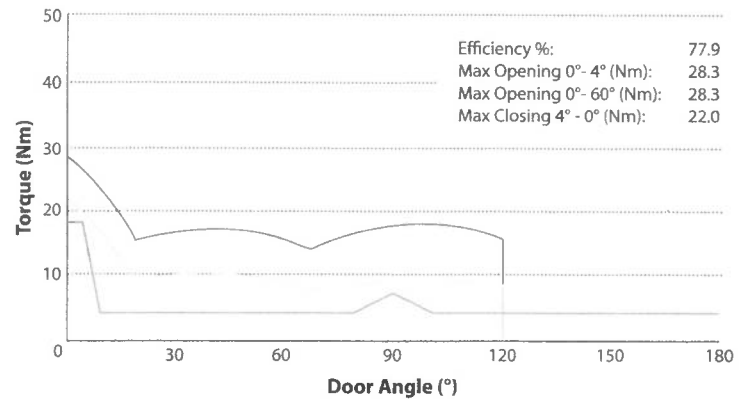
FD30/60/120



FD120/240



Max Closing Moment (EN)
Opening Moment
Closing Moment
Min Closing Moment (EN)



The DCC2003SM surface mounted H.E door closer has an opening force (0-30°) less than 30N when fitted to a minimum width door of 753mm, and has an opening force (30-60°) less than 22.5N when fitted to a minimum width door of 569mm tested in laboratory conditions. Therefore the suitable width of door for the DCC2003SM surface mounted H.E door closer fixed in the above fixing position is 753mm. (Power trace taken at 0 cycles).

| Specification | Cover Packs | Finishes | Suitable Environments |
|-------------------------------------------------------------------------------------------------------------------------------------------------------------------------------------------------------------------------------------------------------------------------------------------------------------------------------------------------------------------------------------------------------------------------------------------------------------------------------------------|-----------------------------------------------------------------------------------------------------------------------------------------------------------------------------------------------------------------------|------------------------------------------------------------------------------------------------------------------------------------|-----------------------|
| <ul style="list-style-type: none"> Closing Force EN Size 3 Efficiency 77% Max Door Width 950mm Max Weight 60Kg Angle of Opening Max 120° Suitable for LH/RH Use Adjustable Closing Speed Adjustable Latching Speed 10 Year Mechanical Guarantee Accessory Packs Available Slide Channel Slimline Body Meets recommendations of BS 8300 and Approved Document M | <ul style="list-style-type: none"> BSS DCP3202/BSS EBP DCP3202/EBP PNP DCP3202/PNP PVD DCP3202/PVD SNP DCP3202/SNP SSS DCP3202/SSS SV DCP3202/SV | <ul style="list-style-type: none"> BSS EBP PNP PVD SNP SSS SV | |

ENDUROMAX DCC2024SM/36

Surface Mounted H.E Door Closer Variable Power Size 2-4



| | | | | | | |
|----------------------------------|----|---|--------|---|---|---|
| 1121 - CPD - AD5036 | 12 | | | | | |
| EN 1154:1996 + A1:2002 + AC:2006 | 3 | 8 | 4 2 | 1 | 1 | 3 |



APPROVED PRODUCT
CF5887



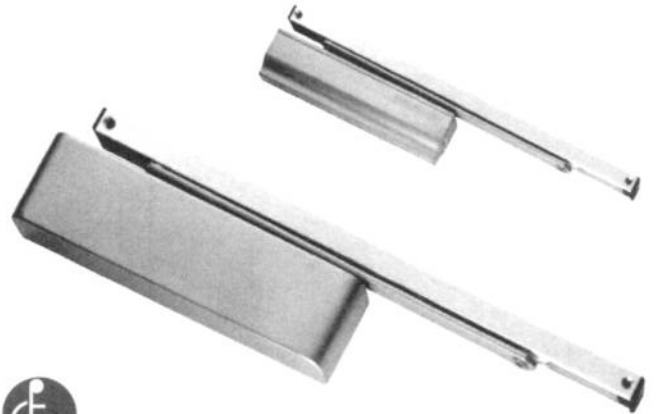
BS EN 1154



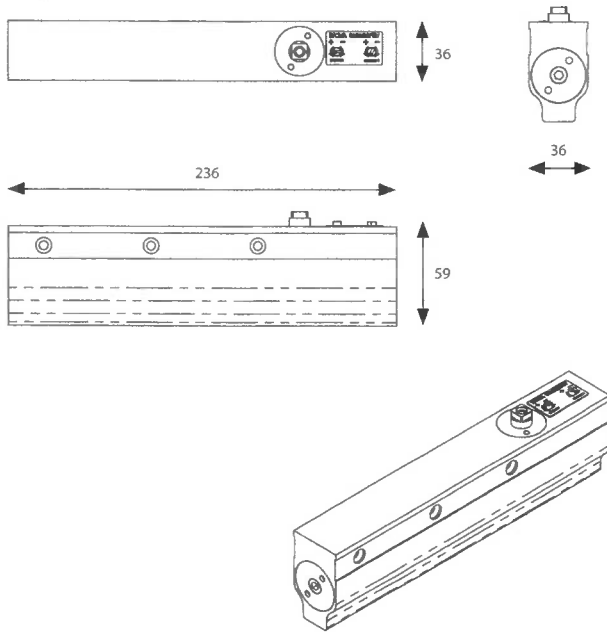
FD30/60/120



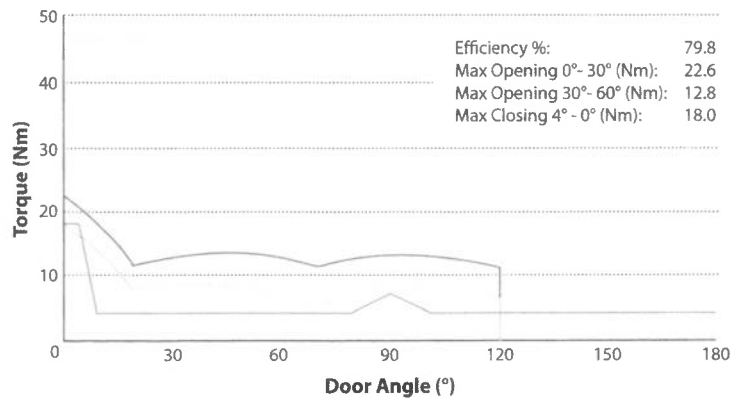
FD120/240



The Home of Quality Architectural Ironmongery



Max Closing Moment (EN)
Opening Moment
Closing Moment
Min Closing Moment (EN)



The DCC2024SM/36 surface mounted H.E door closer has an opening force (0-30°) less than 30N when fitted to a minimum width door of 753mm, and has an opening force (30-60°) less than 22.5N when fitted to a minimum width door of 569mm tested in laboratory conditions. Therefore the suitable width of door for the DCC2024SM/36 surface mounted H.E door closer fixed in the above fixing position is 753mm.

| Specification | Cover Packs | Finishes | Suitable Environments |
|-----------------------------------------------------------------------------------------------------------------------------------------------------------------------------------------------------------------------------------------------------------------------------------------------------------------------------------------------------------------------------------------------------------------------------------------------------------------------------------------------------------|-------------------------------------------------------------------------------------------------------------------------------------------------------------------------------------|------------------------------------------------------------------------------------------------------------------------------------------------------------------------------------------------------------------------------------------------------------|-----------------------|
| <ul style="list-style-type: none"> Closing Force EN Size 2-4 Efficiency 79% Max Door Width 1100mm Max Weight 80Kg Angle of Opening Max 120° Suitable for LH/RH Use Power Adjustment by Spring Adjustable Closing Speed Adjustable Latching Speed 10 Year Mechanical Guarantee Accessory Packs Available Slide Channel Meets recommendations of BS 8300 and Approved Document M | <p>BSS DCP3202/36/BSS</p> <p>EBP DCP3202/36/EBP</p> <p>PNP DCP3202/36/PNP</p> <p>PVD DCP3202/36/PVD</p> <p>SNP DCP3202/36/SNP</p> <p>SSS DCP3202/36/SSS</p> <p>SV DCP3202/36/SV</p> | <p><input type="checkbox"/> BSS</p> <p><input type="checkbox"/> EBP</p> <p><input type="checkbox"/> PNP</p> <p><input type="checkbox"/> PVD</p> <p><input type="checkbox"/> SNP</p> <p><input type="checkbox"/> SSS</p> <p><input type="checkbox"/> SV</p> | |