

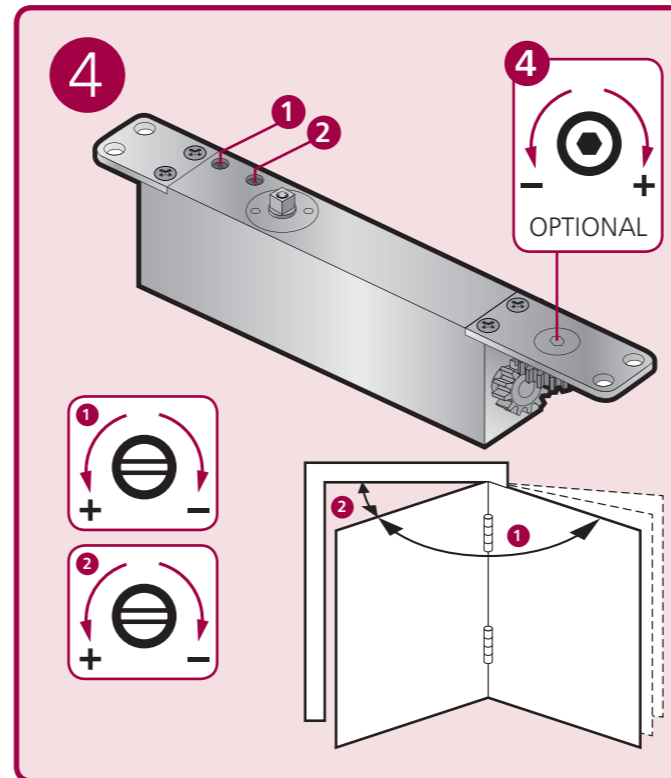
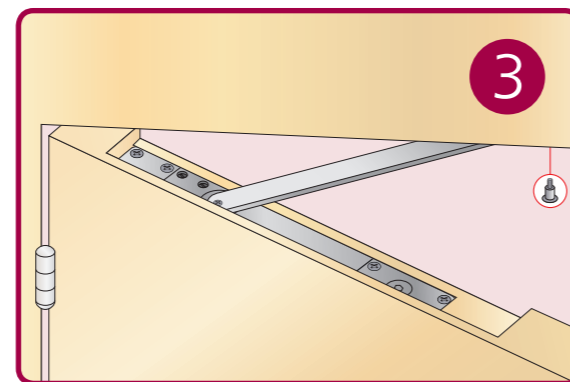
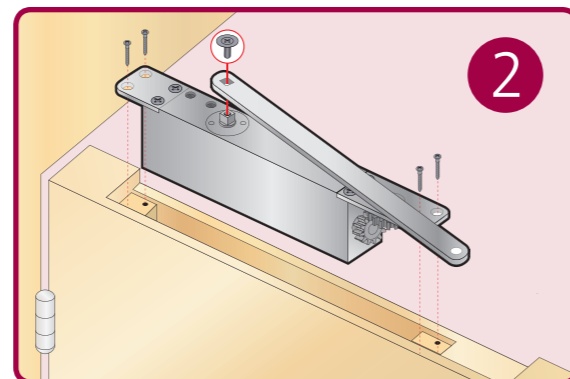
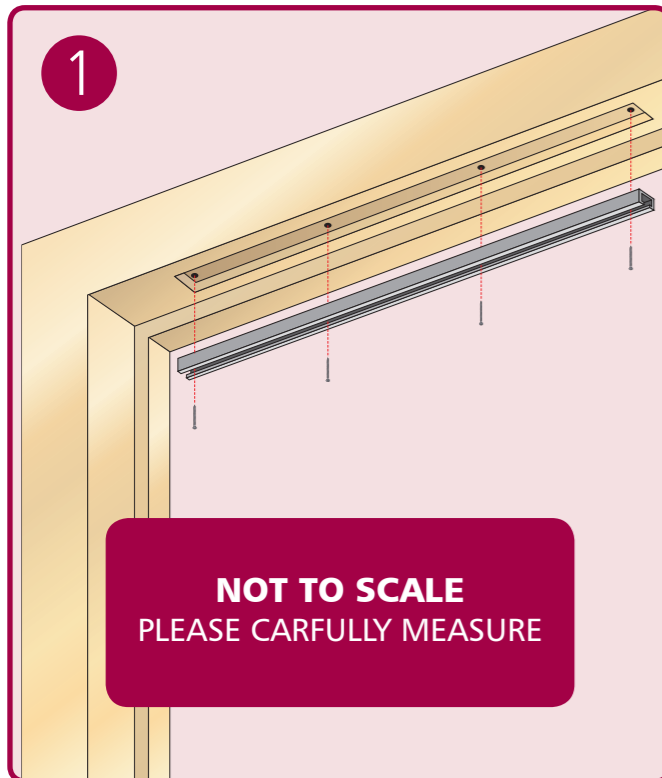
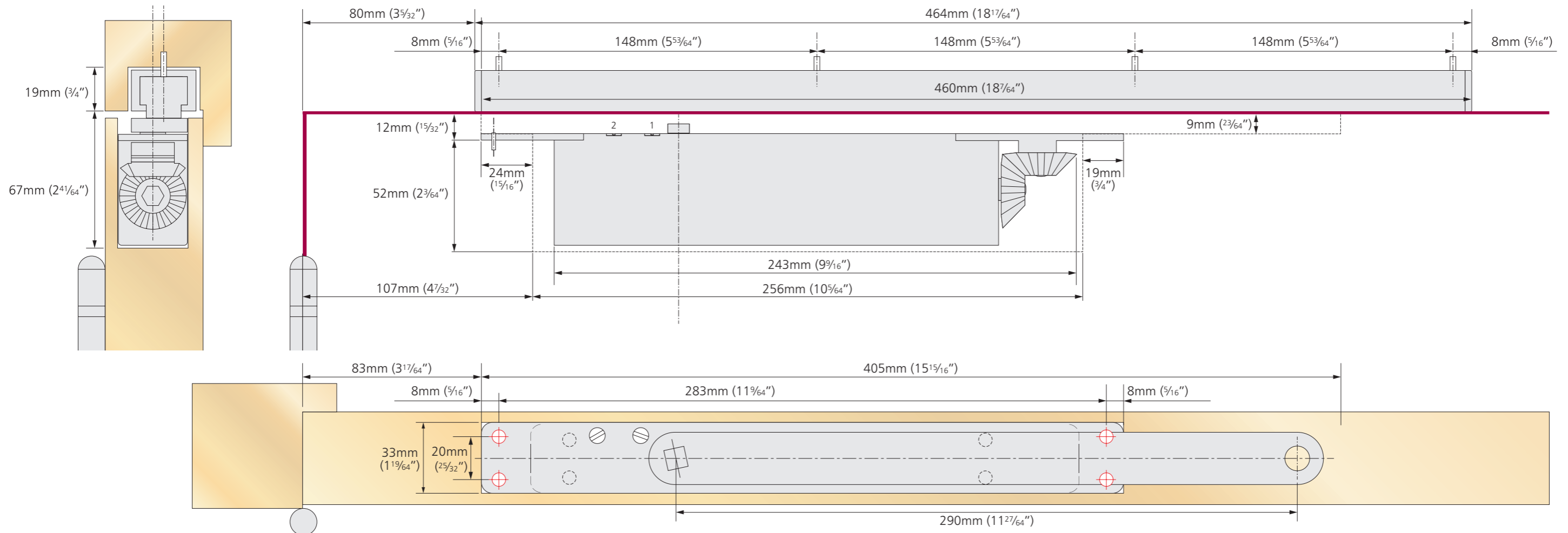


# Concealed Slide Arm Closer

## ITS11204

CE 1121  
BS EN 1154  
3 8 3 1 1 3

www.rutlanduk.co.uk



### EN 2-4 Power Adjustment

4	No. of turns	EN Size	Max. door width	Max. opening angle	Max weight
-	-4	2	850mm	110°	45
0	+0	3	950mm	110°	60
+	+6	4	1100mm	110°	80

\* FACTORY PRE-SET  
 ■ EN2 NOT SUITABLE FOR FIRE DOORS

THE PINION BOLT MUST BE TIGHTENED TO 12NM

© NO PART OF THIS INSTRUCTION CAN BE COPIED OR STORED IN ANY WAY OR FORM MANUALLY OR ELECTRONICALLY WITHOUT THE FULL PERMISSION OF RUTLAND



# Concealed Slide Arm Closer ITS11204



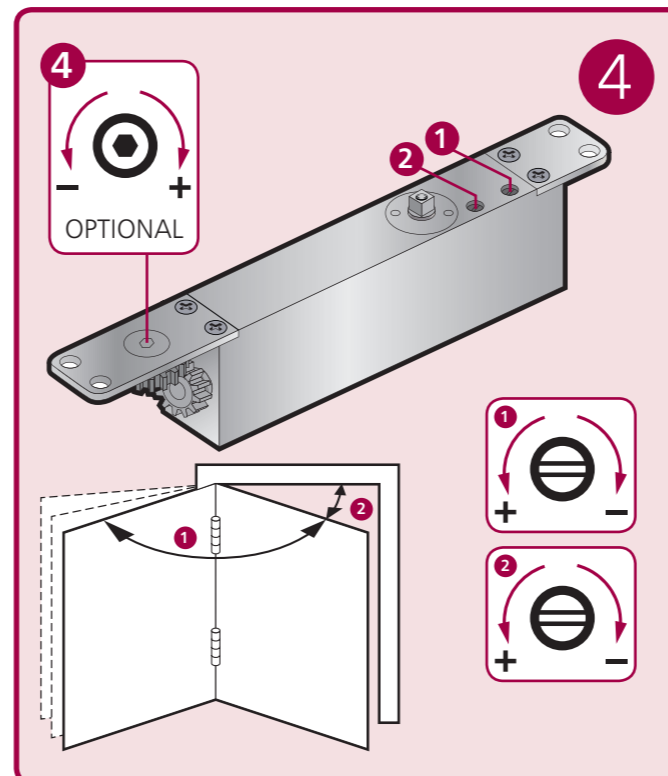
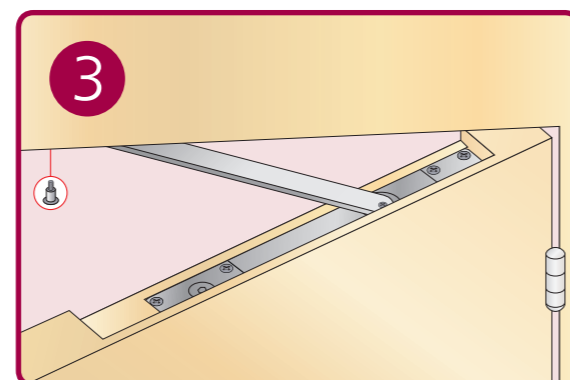
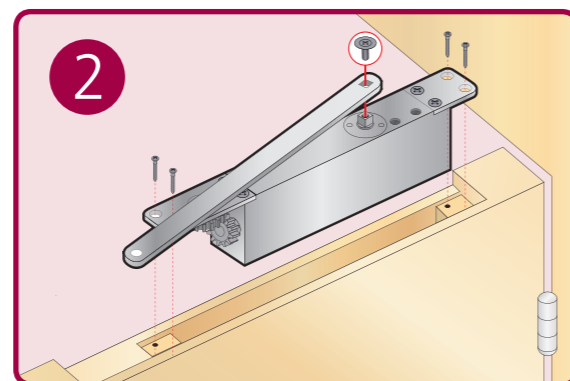
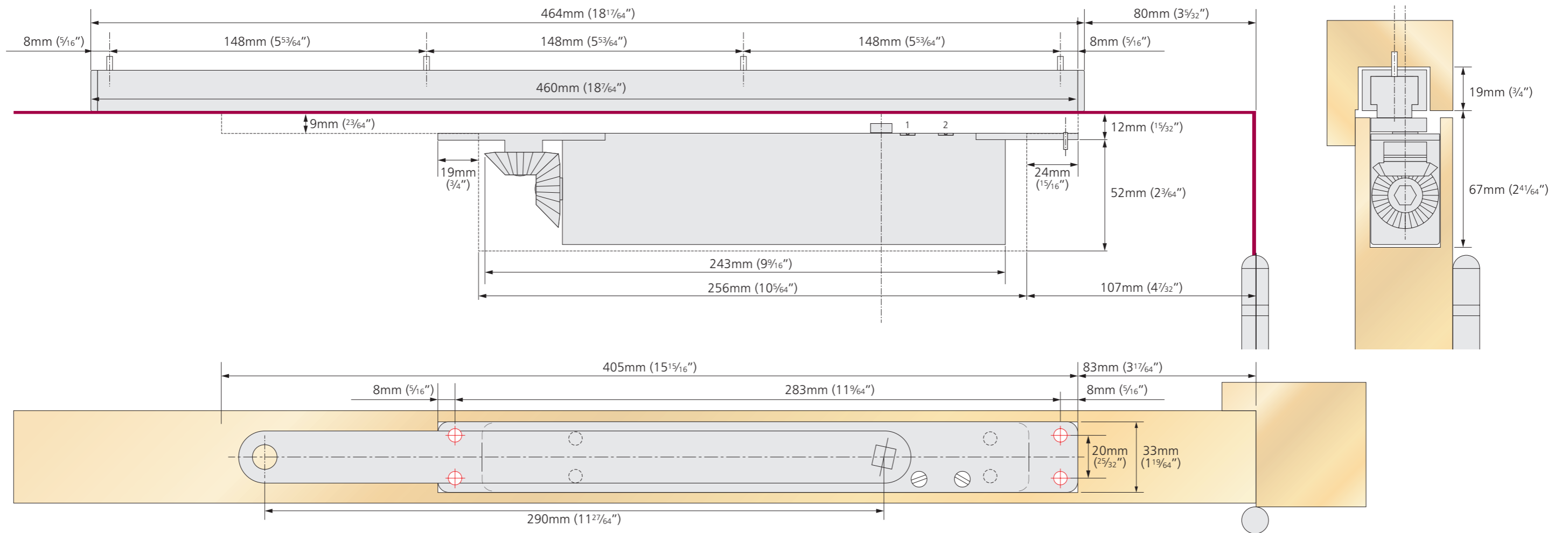
C114.1

1121

BS EN 1154

3 8 3 1 1 3

www.rutlanduk.co.uk



## EN 2-4 Power Adjustment

4				
No. of turns	EN Size	Max. door width	Max. opening angle	Max weight
-4	2*	850mm	110°	45
*0	3	950mm	110°	60
+6	4	1100mm	110°	80

\* FACTORY PRE-SET  
 ■ EN2 NOT SUITABLE FOR FIRE DOORS

THE PINION BOLT MUST BE TIGHTENED TO 12NM

© NO PART OF THIS INSTRUCTION CAN BE COPIED OR STORED IN ANY WAY OR FORM MANUALLY OR ELECTRONICALLY WITHOUT THE FULL PERMISSION OF RUTLAND