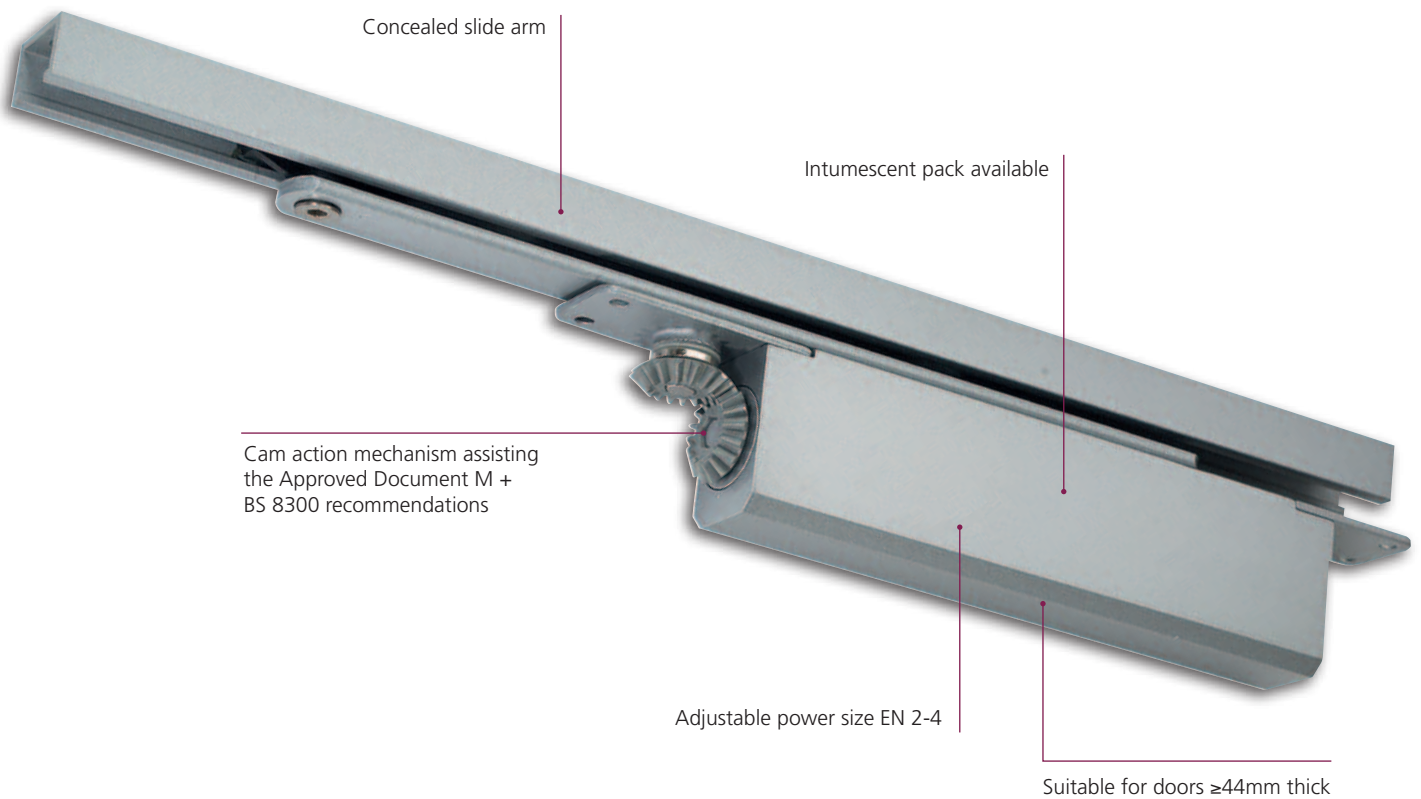


# ITS.11204

## Concealed Slide Arm Closer



## Product Overview

The ITS.11204 Rutland Cam Action concealed closers which are renowned for their high efficiency, reliability and ease of opening have an adjustable power size of EN2-4. This adjustment gives it scope to refine its movement to enable it to meet and assist door sets in the requirements required for the Approved Document M of the building regulations and the BS 8300 recommendations. These units are available with single or double action accessories.



## Specification Overview



Fire Tested  
up to 60 mins



Max Door Weight  
up to 80kg



Opening Angle  
120°



Max Door Width  
1100mm



Adjustable  
Closing Speed



11204CPR01.07.13



Universal  
Application



Power Size  
EN2-4



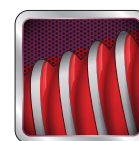
Adjustable  
Latch Speed



Guarantee



Min Door  
835mm



Rut Lock

## Technical Information

### BS EN 1154 Classification

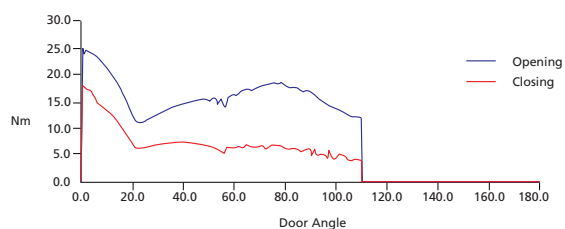
ITS.11204 door closers have been independently tested to conform with the EN 1154 performance standard. They are CE marked and classified as follows:

3 8 3 1 1 3

### BS EN 1634 Fire Test

ITS.11204 closers have been tested to EN 1634 requirements up to 60 minutes – please specify intumescent gasket IP.114C. Test certificates are available on request.

### Efficiency Graphs



## Options

- Mechanical hold open slide rail
- EN2 & EN4

*Options not covered by CE or FIRECAT.*



All dimensions shown are in mm.

