



MODEL DCC2003SM/36 INSTALLATION INSTRUCTIONS

High Efficiency Door Closer c/w Slide Channel

DCC2003SM/36/SV Surface Mounted H.E Closer Size 3 c/w Slide Arm						
	Eurospec Architectural Hardware Ltd. Stancliffe Street, Mill Hill, Blackburn, BB2 2QR					
1121 - CPD - AD5064	13					
EN 1154:1996 + A1:2002 + AC:2006	3	8	3	1	1	3

ENDUROMAX

IMPORTANT INFORMATION

SELECTING THE CORRECT DOOR CLOSER TO SUIT DOOR SIZE

	Power Size	Max. Width of Door	Max. Mass of Door
Minimum size 3 MUST be used on fire doors.			
Hold open arms must NOT be used on fire doors.	2	850mm	40kg
* Minimum size for use on fire doors.	3*	950mm	60kg
	4	1100mm	80kg

PLEASE LEAVE THESE INSTRUCTIONS WITH THE END USER

The Home of Quality Architectural Ironmongery

Tel: 01228 511030 Fax: 01228 511885 Web: www.carlislebrass.com

INSTALLATION - FIG 1 APPLICATION - ANGLE OF OPENING LIMITED TO 120°

Fig 1 - Standard Application (Door closer fitted on pull face of door)

1. Ensure that the door and surrounding frame are in good condition, flush with one another and that the door closes freely.
2. On the following pages there are fitting dimensions for clockwise closing and anti-clockwise closing doors. Ensure you select the correct details for the doors application and drill pilot holes in door and frame accordingly.
3. Secure closer body to door and slide channel to the frame. If using an optional finish cover pack, ensure that the channel cover clip and matching fixings are used.
4. With the door slightly open, pre-load the arm (10° from door face) onto the spindle and secure with washer and machine screw provided. If using an optional finish cover pack, the matching arm supplied must be fitted instead of the standard silver one.
5. Close the door and push the arm towards the door face, line the hole in the arm with the nylon guide in the channel and using the allen key secure together with the machine bolt provided.
6. Operate the door and adjust the closing and/or latching speed valves as necessary.
7. If using optional finish cover pack, place cover over closer body and secure as per cover pack instructions.

INSTALLATION - FIG 61 APPLICATION - ANGLE OF OPENING LIMITED TO 120°

Fig 61 - Transom Mount Application (Door closer fitted on pull face of door)

1. Ensure that the door and surrounding frame are in good condition, flush with one another and that the door closes freely.
2. On the following pages there are fitting dimensions for clockwise closing and anti-clockwise closing doors. Ensure you select the correct details for the doors application and drill pilot holes in door and frame accordingly.
3. Ensuring the arm spindle will be situated towards the hinge side, secure closer body to frame and slide channel to the door. If using an optional finish cover pack, ensure that the channel cover clip and matching fixings are used.
4. With the door open, pre-load the arm (10° into the door opening) onto the spindle of the door closer and secure with washer and machine screw provided. If using an optional finish cover pack, the matching arm supplied must be fitted instead of the standard silver one.
5. Pull the arm to the other side of the frame (door opening direction) and adjust the closing speed to hold it in place. Line the hole in the arm with the nylon guide in the channel and using the allen key secure together with the machine bolt provided and release the closing valve to allow the door to close.
6. Operate the door and adjust the closing and/or latching speed valves as necessary.
7. If using optional finish cover pack, place cover over closer body and secure as per cover pack instructions.

MAINTENANCE

Check that the door closer closes the door correctly and adjust as necessary.
Ensure fixing screws are tight and periodically apply light oil or grease to slide arm pivot joints.

FIG 1

ANTI-CLOCKWISE CLOSING DOORSET

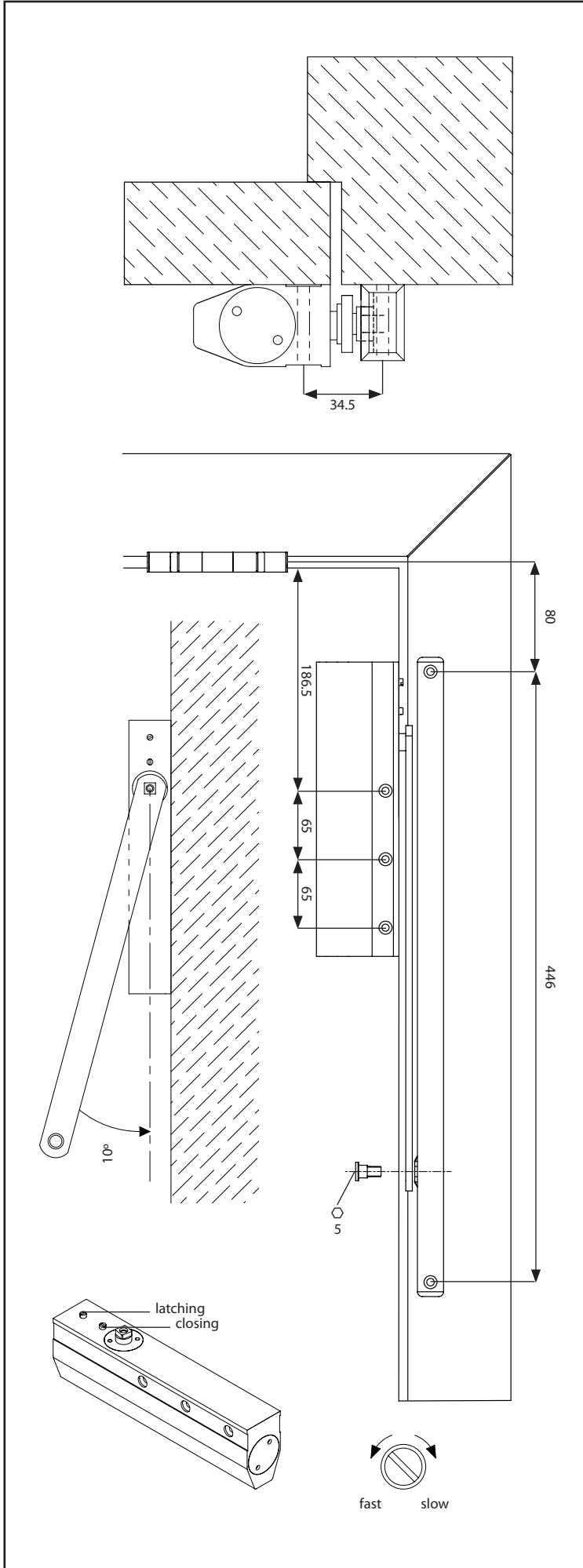


FIG 1

CLOCKWISE CLOSING DOORSET

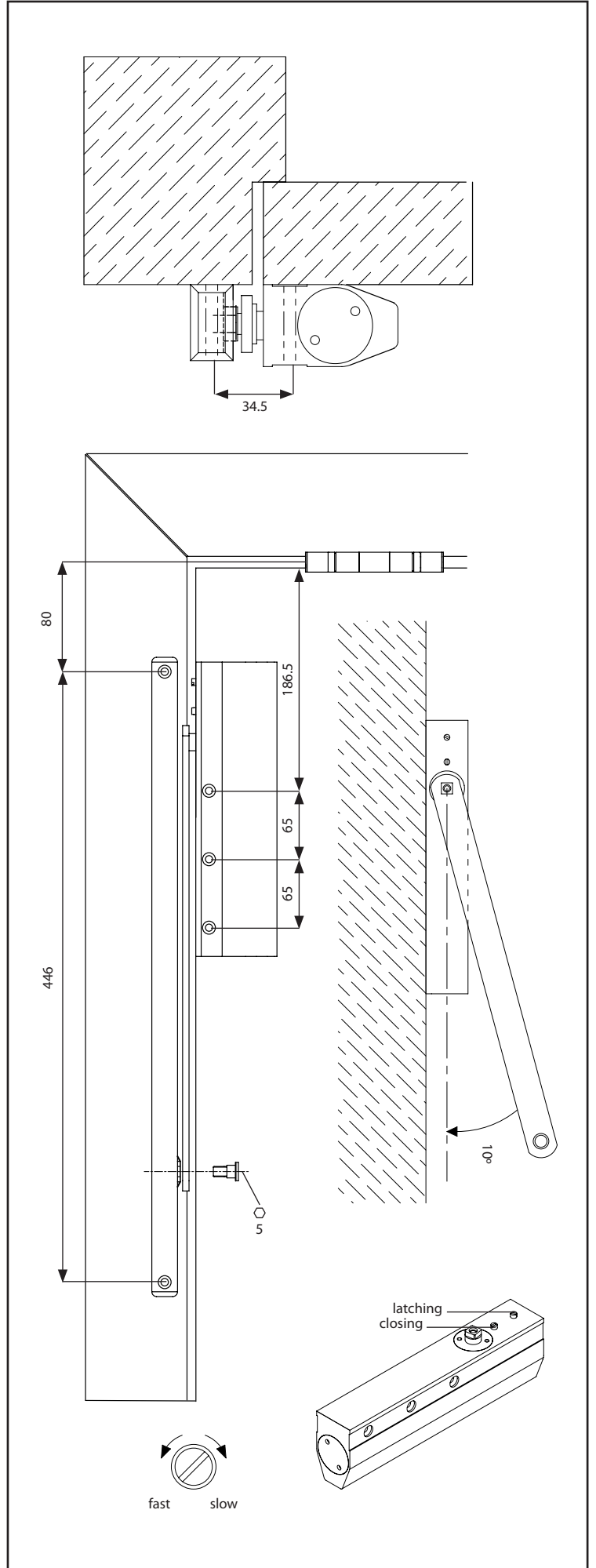


FIG 61

ANTI-CLOCKWISE CLOSING DOORSET

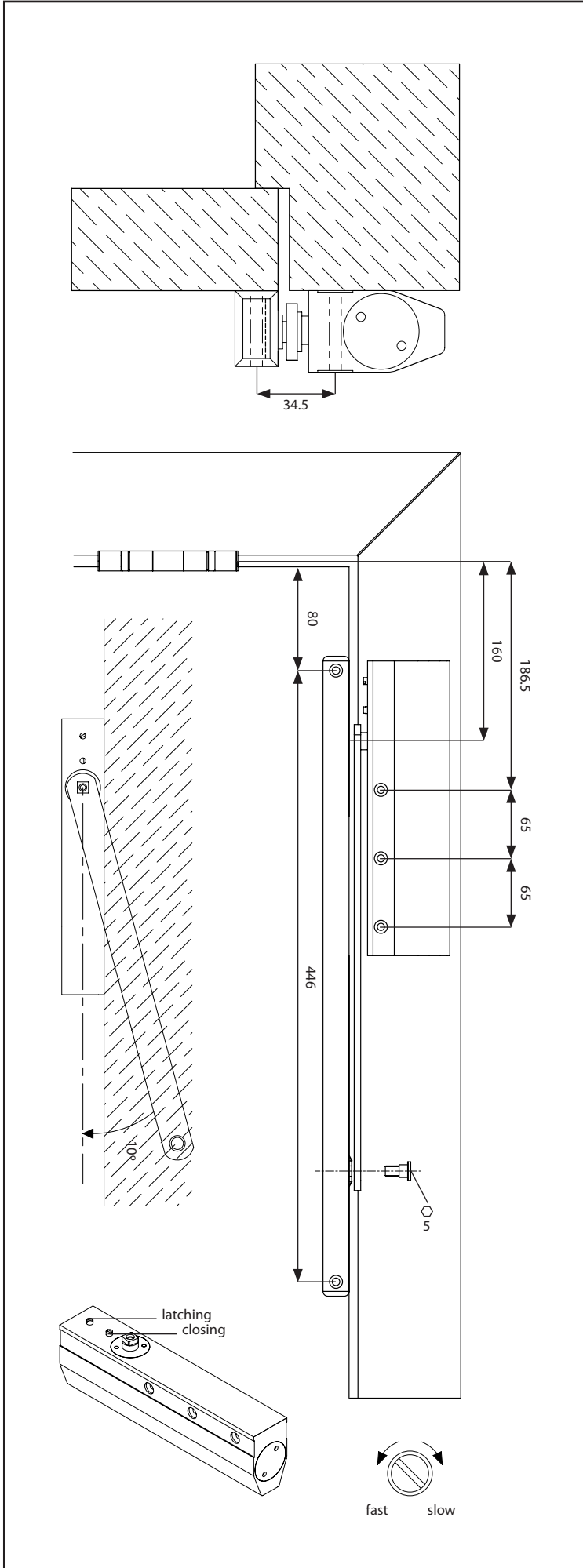


FIG 61

CLOCKWISE CLOSING DOORSET

