

TECHNICAL SPECIFICATION SHEET

ZSHP



CODE	FINISH
ZSHPCP	Polished chrome
ZSHPSC	Satin chrome

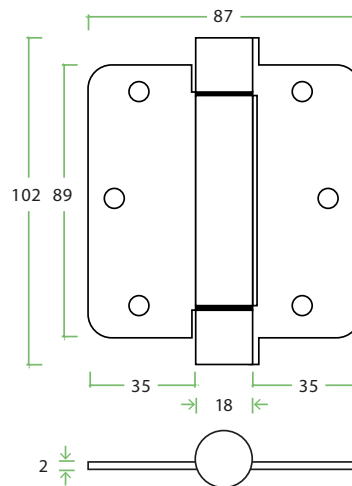
PRODUCT SPECIFICATIONS

- 89mm x 87mm x 2mm
- Radius profile
- Contains 2 sprung and 1 unsprung hinge
- Steel

STANDARDS	SUITABILITY
-----------	-------------



TECHNICAL



CODE	DESCRIPTION	FINISH	ADDITIONAL INFO.
ZSHPCP	Spring hinge pack	CP	2 sprung & 1 unsprung hinge
ZSHPSC	Spring hinge pack	SC	2 sprung & 1 unsprung hinge



For more information please contact us today:

Zoo Hardware Ltd, Unit B, Dukes Drive,
Kingmoor Park North, Carlisle, Cumbria CA6 4SH

Call: 01228 672900

Fax: 01228 672928

Email: sales@zoo-hardware.co.uk

Web: www.zoohardware.co.uk



URS is a member of Registrar of Standards (Holdings) Ltd.