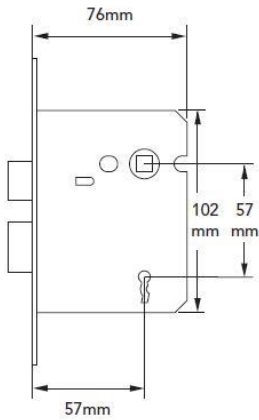


CODE	CLASS	DESCRIPTION	FINISH	REBATE
LSE5225	Lever Sash	Contract 2 Lever Sashlock 2.5"	Black/EB/NP	0.5" ARE5005 EB/NP
LSE5225/R	Lever Sash	Contract 2 Lever Sashlock Radius 2.5"	Black/EB/NP	
LSE5230	Lever Sash	Contract 2 Lever Sashlock 3"	Black/EB/NP	0.5" ARE5005 EB/NP
LSE5230/R	Lever Sash	Contract 2 Lever Sashlock Radius 3"	Black/EB/NP	
LSE5325	Lever Sash	Contract 3 Lever Sashlock 2.5"	Black/EB/NP	0.5" ARE5005 EB/NP
LSE5325/R	Lever Sash	Contract 3 Lever Sashlock Radius 2.5"	Black/EB/NP	
LSE5330	Lever Sash	Contract 3 Lever Sashlock 3"	Black/EB/NP	0.5" ARE5005 EB/NP
LSE5330/R	Lever Sash	Contract 3 Lever Sashlock Radius 3"	Black/EB/NP	

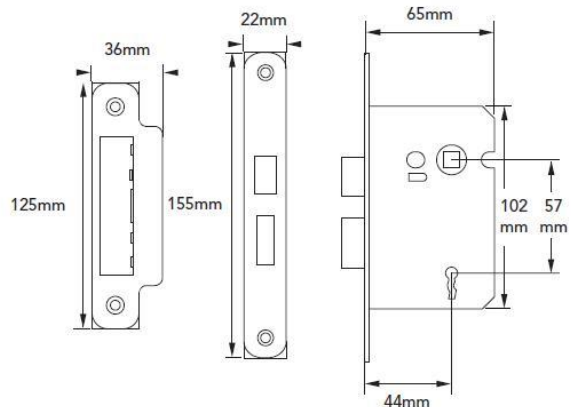


3"

- * Supplied with 2 keys.
- * Available keyed alike. Call sales for further information.



easi-T™ CE



2.5"



BS EN 12209 CLASSIFICATION

2 LEVER	2	H	8	1	O	F	1	K	D	2	O
3 LEVER	2	H	8	1	O	F	1	K	D	2	A